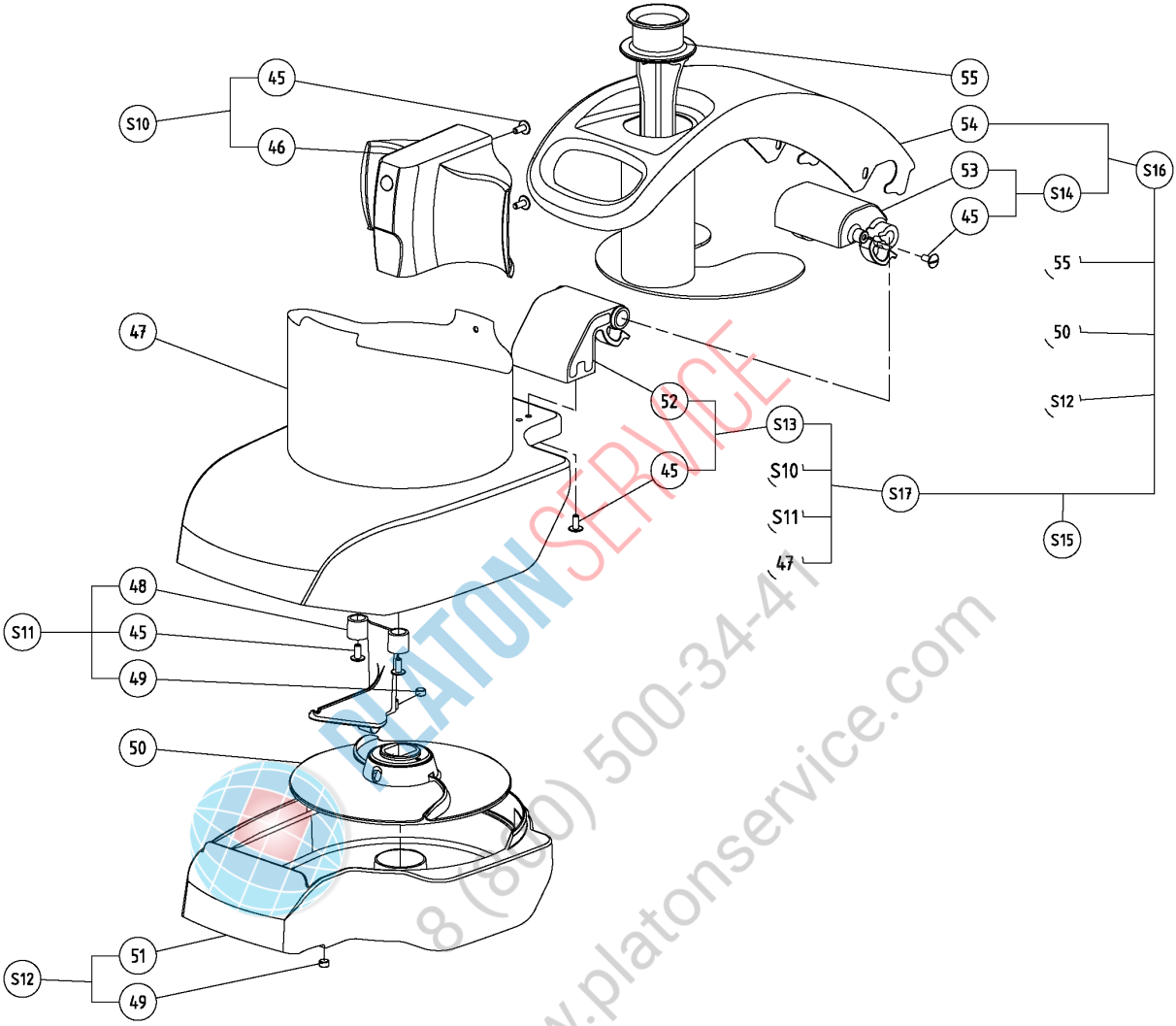
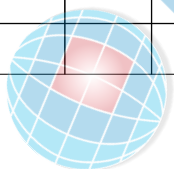


**Vue éclatée Trémie / Hopper exploded view / Explosionszeichnung Trichter
 / Esploso Tramoggia pestello / Despiece Tolva / Sprängskiss Matarrör**

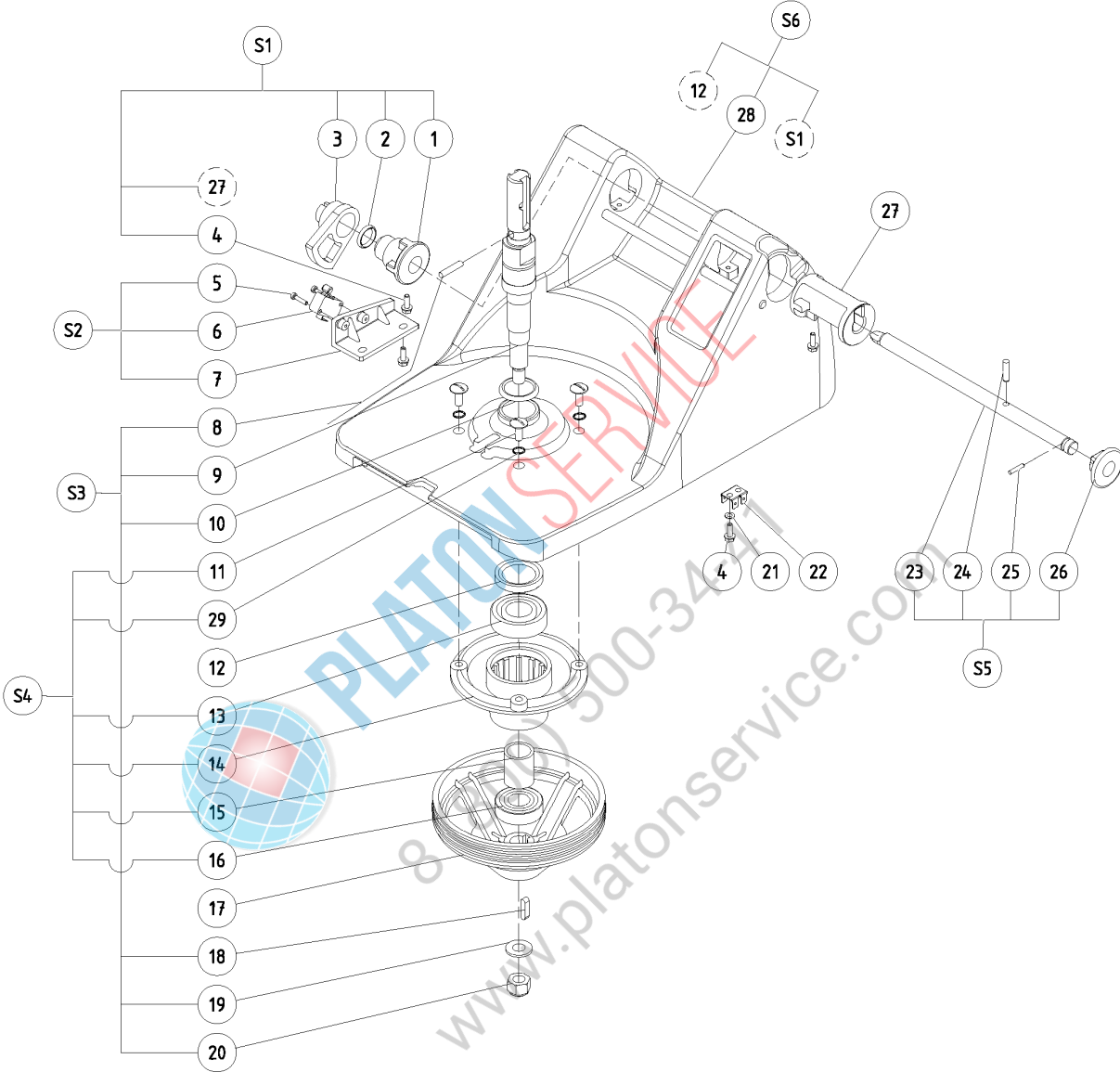


??????	603314								
??????	SPTR2S		???????? 2					Hopper exploded view	
.		Alias		S			.		(Euro)
0045	0U0666							SCREW; 10 PCS	21,01
0046	000000							See S10	
0047	0D6737							HOPPER; NUE EMBALLEE TR2S	332,90
0048	000000							See S11	
0049	0D5334			S				MAGNET; 8X5 NEODYMIUM	5,60
0050	0D5554			S				EJECTOR PLATE; STD TRK2	12,67
0051	000000							See S12	
0052	000000							See S13	
0053	000000							See S14	
0054	000000							See S16	
0055	0D5559			S				FEED STICK; TRK2	6,12
0S10	0D5560			S				SABOT; EQ TRK2	47,20
0S11	0D5561			S				HANDLE; EQ TRK2	44,96
0S12	0D5562			S				CHAMBRE; COUPE EQ TRK2	84,45
0S13	0D5563			S				HINGE; TREMIE EQ TRK2	48,92
0S14	0D5564			S				HINGE; FOULOIR EQ TRK2	51,16
0S15	0D5999			S				HOPPER; COMPLETE TR2S	592,00
0S16	0D6556			S				LID; CPL.; CPL; EQ TR2S	252,70
0S17	0D6738							HOPPER; EQ TR2S	374,50



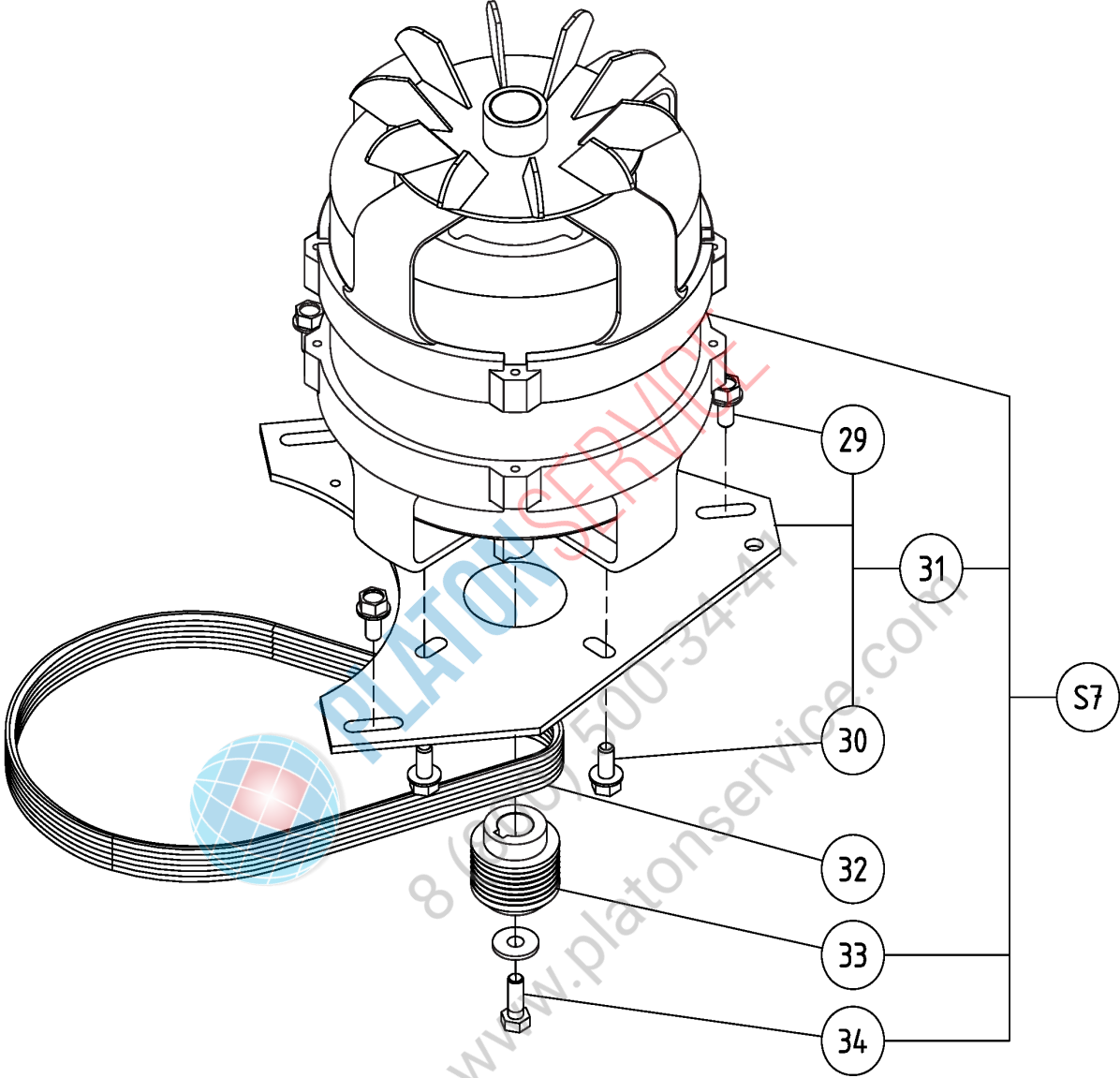
PLATON SERVICE
 8 (800) 500-3417
 www.platonservice.com

Vue éclatée Corps / Body exploded view / Explosionszeichnung - Körper /
 Esploso Corpo / Despiece Cuerpo / Sprängskiss huvuddel _____



??????	603314								
??????	SPTR2S		???????? 4				Body exploded view		
.		Alias		S			.		(Euro)
0001	0D5412			S				DOOR HANDLE	2,53
0002	0D2662							O-RING 15.54X2.62 EL25 X5	20,91
0003	0D5413							CAM; TRK2	2,53
0004	0D6754				D			SCREW; M4X12 INOX (JX10)	20,27
0005	0D5414							SCREW; PT WN 1412 K30/16 (JX10)	20,50
0006	0D6620			S				MICROSWITCH; TRK2	29,54
0007	0D5415							SUPPORT; RUPTER TRK2	2,53
0008	0KJ001			S				DOWELL; 5X24; INOX; 10 PCS	32,07
0009	000000							See S3	
0010	0D5419			S				DEFLECTOR; TRK2	2,22
0011	0U0237							SCREW; 10 PCS	22,43
0012	0KI998			S				RING; 28X40X7MM; FOR TRS; 5 PCS	25,88
0013	0KQ395			S				BEARING; 6204 2RS	8,04
0014	000000							See S4	
0015	0D5596							SPACER; 20X25X30 TRK2	6,45
0016	0KJ007			S				BALL BEARING; 6203 2 RS	4,28
0017	0D2093			S					27,81
0018	0HD008							KEY; 5 PCS	21,32
0019	0D5597							WASHER; M10X22X2 INOX (JX10)	20,40
0020	0U0651							SELF-LOCK NUT; M10, 10 PCS	19,54
0021	0D0520							PIN; 10 PCS	18,90
0022	0D3567							BRASS EARTH TERMINAL (SET X5)	19,22
0023	000000							See S5	
0024	0D0396			S				PIN; 10 PCS	27,91
0025	0KQ479			S				PEG; 10 PCS	22,43
0026	0D5427		0D7492	S				PUSH BUTTON; TRK2	
0027	0D5428			S				GUIDE; TRK2	3,17
0028	0D5429			S				CORPS; STD USINE TRK2	224,30
0029	0D5144							O-RING; 5.7*1,9; 5 PCS	19,11
00S1	0D5430			S				DOOR HANDLE; GUIDE COMPLET TRK2	42,83
00S2	0D5431			S				SUPPORT; RUPTEUR EQ TRK2	44,66
00S3	0D5569			S				SHAFT; EQ TR2S	95,82
00S4	0D5570			S				BEARING HOUSING ASSEMBLY; EQ TR2S	70,24
00S5	0D5432			S				LOCKING BAR ASSEMBLY; EQ TRK2	59,07

Vue éclatée Moteur / Motor exploded view / Explosionszeichnung Motor /
Esploso Motore / Despiece Motor / Sprängskiss Motor _____

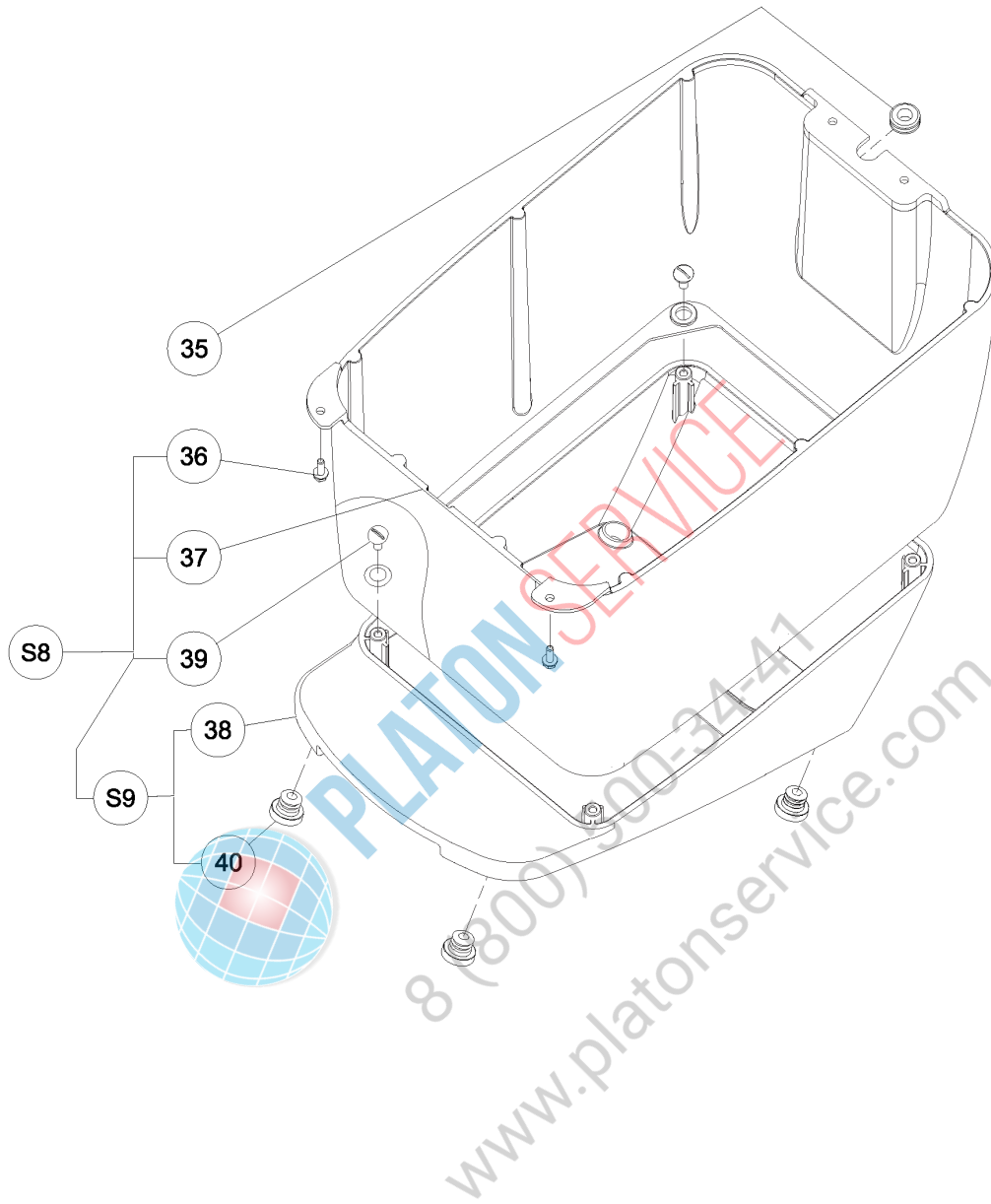


??????	603314								
??????	SPTR2S		???????? 6				Motor exploded view		
.		Alias		S			.		(Euro)
0029	0D6708				D			SCREW; TAPTITE M6X16 (JEU X10)	21,62
0030	0D0594							SCREW; 10 PCS	19,74
0031	0D5598							SUPPORT; MOTOR EQ TRK2	66,58
0032	033106			S				BELT; POLY V 559 J6	10,67
0033	0KQ336							LAMP	
0034	000000								
00S7	0D5588							MOTOR; MONO 1V 500W EQ TR2S	215,20
00S7	0D5589							MOTOR; 3 230/240 50 1V EQ TR2S	222,30
00S7	0D5590							MOTOR; 3 400 50 2V EQ TR2S	523,00
00S7	0D5591							MOTOR; MONO VV EQ TR2S	222,30
00S7	0D5782							MOTOR; MONO 1V 370W EQ TR2S	226,30
00S7	0D5848							MOTOR; MOT 1 100/120 5/6 0.37KW TR2S	216,20
00S7	0D5849							MOTOR; MOT 1 100/120 5/6 0.5KW TR2S	222,30
00S7	0D5850							MOTOR; MOT 1 100/120 5/6 0.75KW TR2S	384,70
00S7	0D5851				D			MOTOR; MOT 3 208/240 6 0.5/75KW TR2S	530,00



PLATON SERVICE
 8 (800) 500-3441
 www.platonservice.com

Vue éclatée Caisson / Casing exploded view / Explosionszeichnung Gehäuse/ Esploso Cassone / Despiece Carcasa / Sprängskiss Behållare



??????	603314								
??????	SPTR2S		???????? 8					Casing exploded view	
.		Alias		S			.		(Euro)
0035	0D1014							10 PCS GROMMET	25,17
0035	0D5592							CABLE GROMMET; DK 9X14X3 (JEU X10)	23,14
0036	0D6754				D			SCREW; M4X12 INOX (JX10)	20,27
0037	0D5566							CONTAINER; CAISSON EMBALLE TR2S	170,50
0038	000000							See S9	
0039	0U0666							SCREW; 10 PCS	21,01
0040	0D1609			S				RUBBER FOOT; 6 PCS	36,13
00S8	0D5568							CONTAINER; EQ TR2S	192,90
00S9	0D5567			S				SOCLE EMBALLE TR2S	50,85

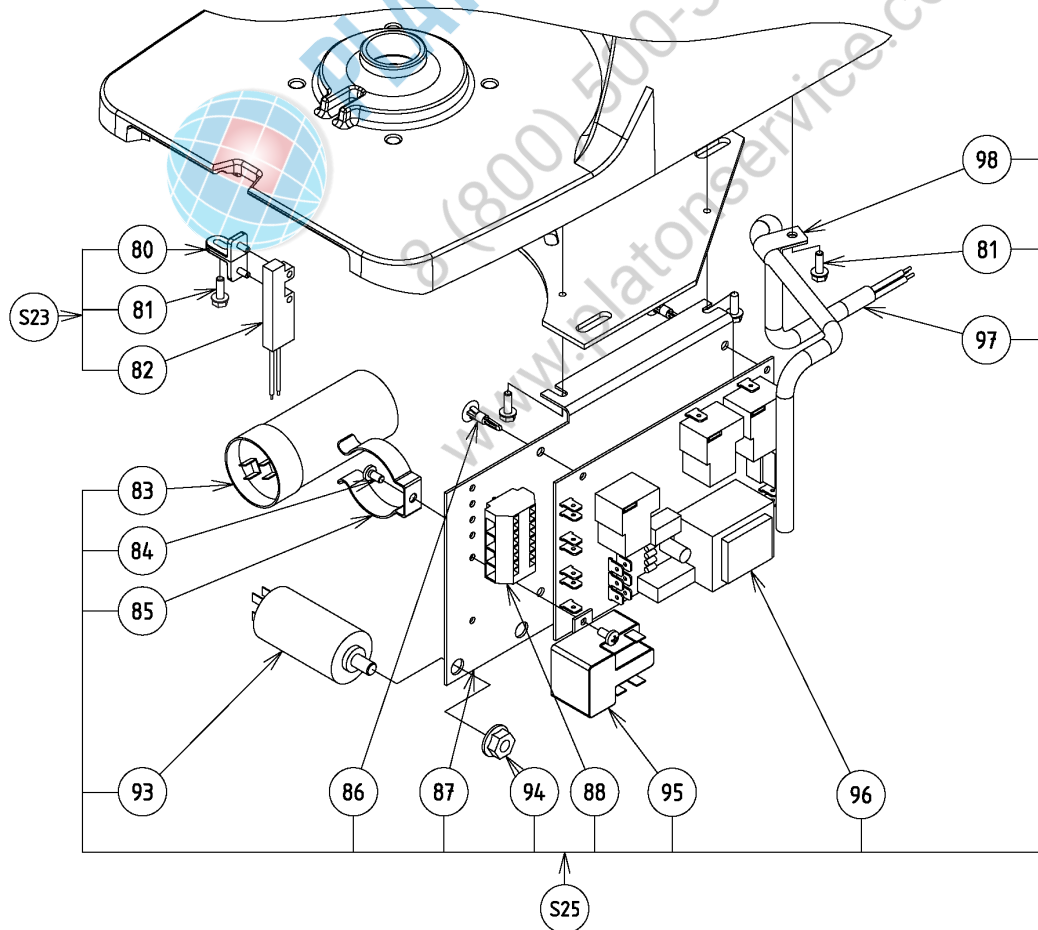
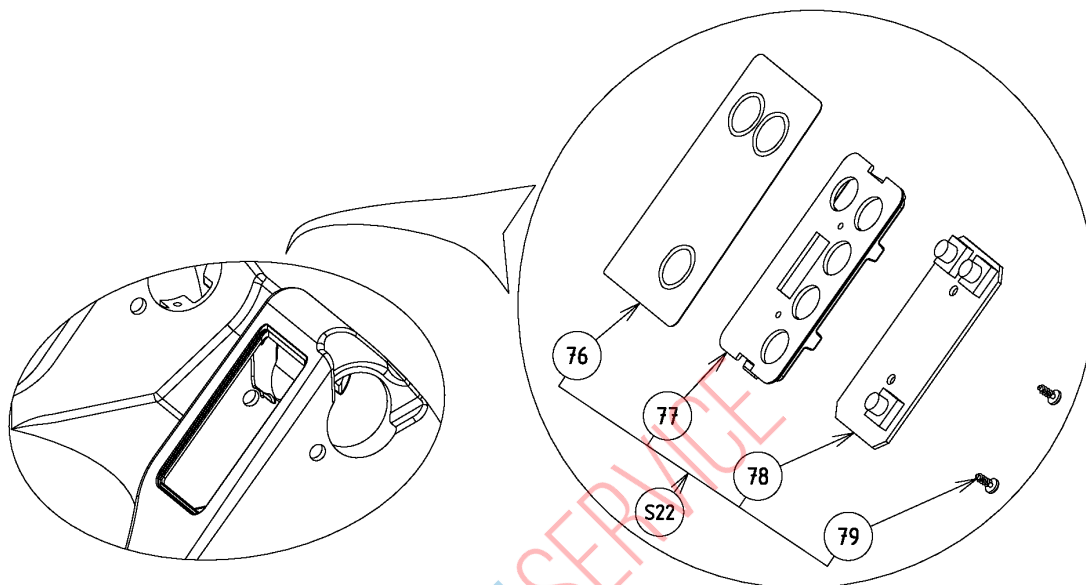


PLATON SERVICE

8 (800) 500-34-41

www.platonservice.com

Vue éclatée Commande-Platine TR 1V mono / Exploded view TR 1-sp. single phase circuit board-Control / Explosionszeichnung Steuerung-Platine TR 1 GS WS / Esploso Comando Piastra TR 1V mono / Despiece Mando-Platina TR 1V mono / Sprängskiss- Kontroll-TR-Platin 1V enf.

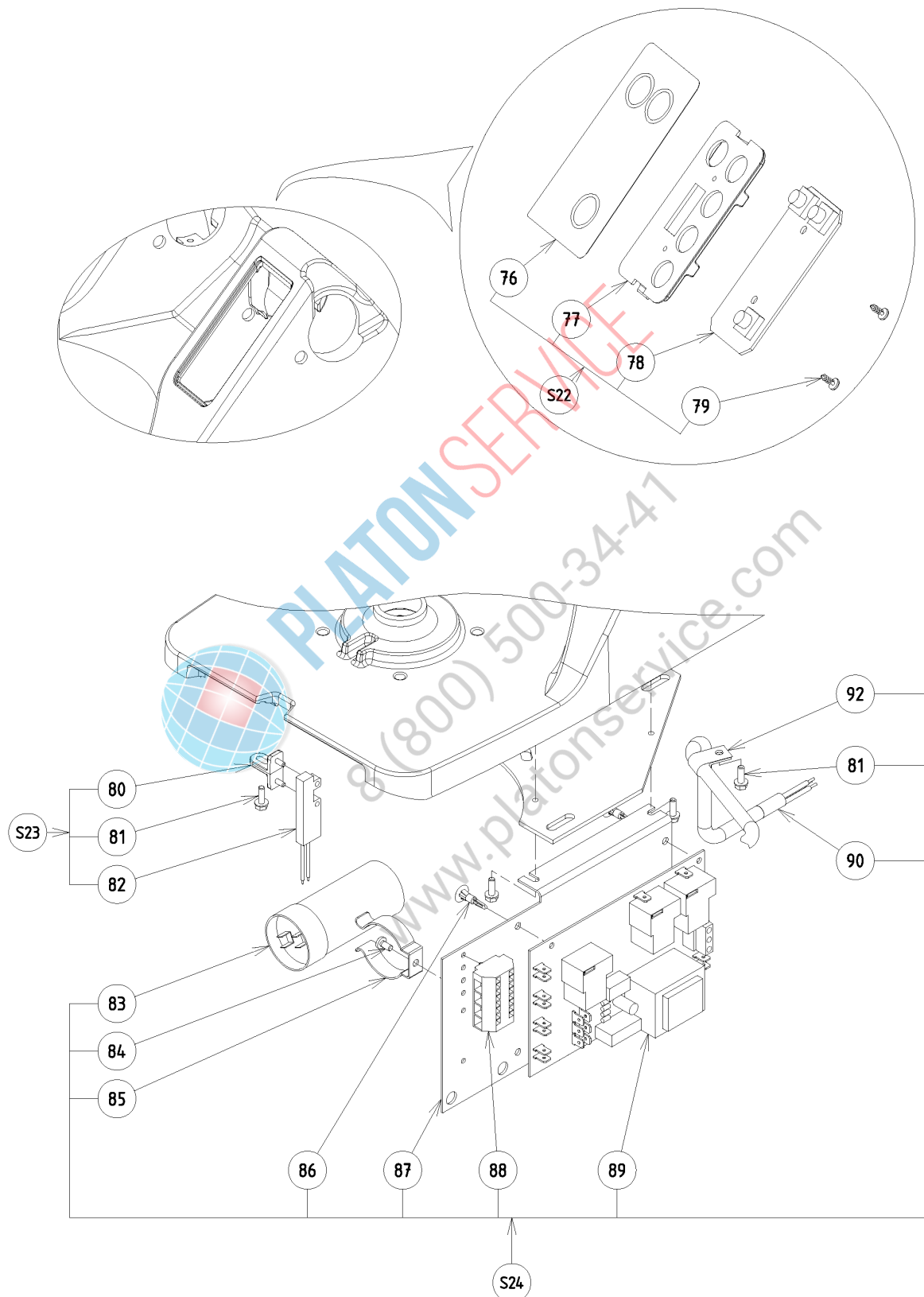


J

TR2S FR 03 06

??????		603314									
??????		SPTR2S		???????? 10		Exploded view TR 1-sp. Single phase circuit board-Control					
.		Alias		S		.				(Euro)	
0076	0D7096								CONTROL PANEL; TRS 1V EQ	52,88	
0077	0D5515								SUPPORT; CARD CDE TRK2	3,38	
0078	0D6245			S					CARD; M/A/PULSE TRK	72,47	
0079	0D2918								SCREW PT WN 1442 K30/8 (SET X10)	21,42	
0080	0D5517								SUPPORT; SECURITE TRK2	24,16	
0081	0D6754				D				SCREW; M4X12 INOX (JX10)	20,27	
0082	0D6626			S					SENSOR; TRK2	48,62	
0083	0U0471			S					START CAPACITOR; 90MF - 275V	17,64	
0084	0D3429				D				SCREW PLATE M4X8 GALVA STL SET X10	20,60	
0085	0U0242				D				HOLDER	5,70	
0086	0D2848								PRINTED CIRCUIT FIXING SPACER (SET X6)	21,82	
0087	0D5602				D				SUPPORT; COMPOSANT TR CI	15,73	
0088	0D5135								TERMINAL; 5 PCS	47,60	
0093	0U0403			S					RUN CAPACITOR RC14	6,53	
0094	0D3590								RING NUT HU M8 WRAPPED SET X10	18,76	
0095	0D3329			S					KLIXON; 4CR2-692-230V	43,65	
0096	0KQ429			S					POWER BOARD; 1-P 220/240V-50/60HZ	197,90	
0097	0D5545								CABLE; ALIM MONO EQ TRK2	43,24	
0098	0D6040								CLIP; SET 10PCS	9,00	
0S22	0D5573			S					SUPPORT; CARTE CDE EQ TR2S 1V	106,60	
0S23	0D5522			S					SUPPORT; PSA COMPLETE TRK2	62,52	
0S25	0D5489								POWER BOARD; 115V 1V UL EQ TRK	342,10	
0S25	0D5495								POWER BOARD; 115V 1V UL +RMA TRK	368,40	
0S25	0D5575								SUPPORT; MONO 1V TR2S	215,20	

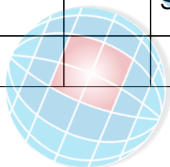
**Vue éclatée Commande-Platine TR 1V tri / Exploded view TR 1-sp. 3-ph.
 Circuit board-Control / Stückliste Steuerung-Platine TR 1 GS DS / Esploso
 Comando Piastra TR 1V tri / Despiece Mando-Platina TR 1V tri / Sprängs-
 kiss- Kontroll-TR-Platin 2V tre**



L

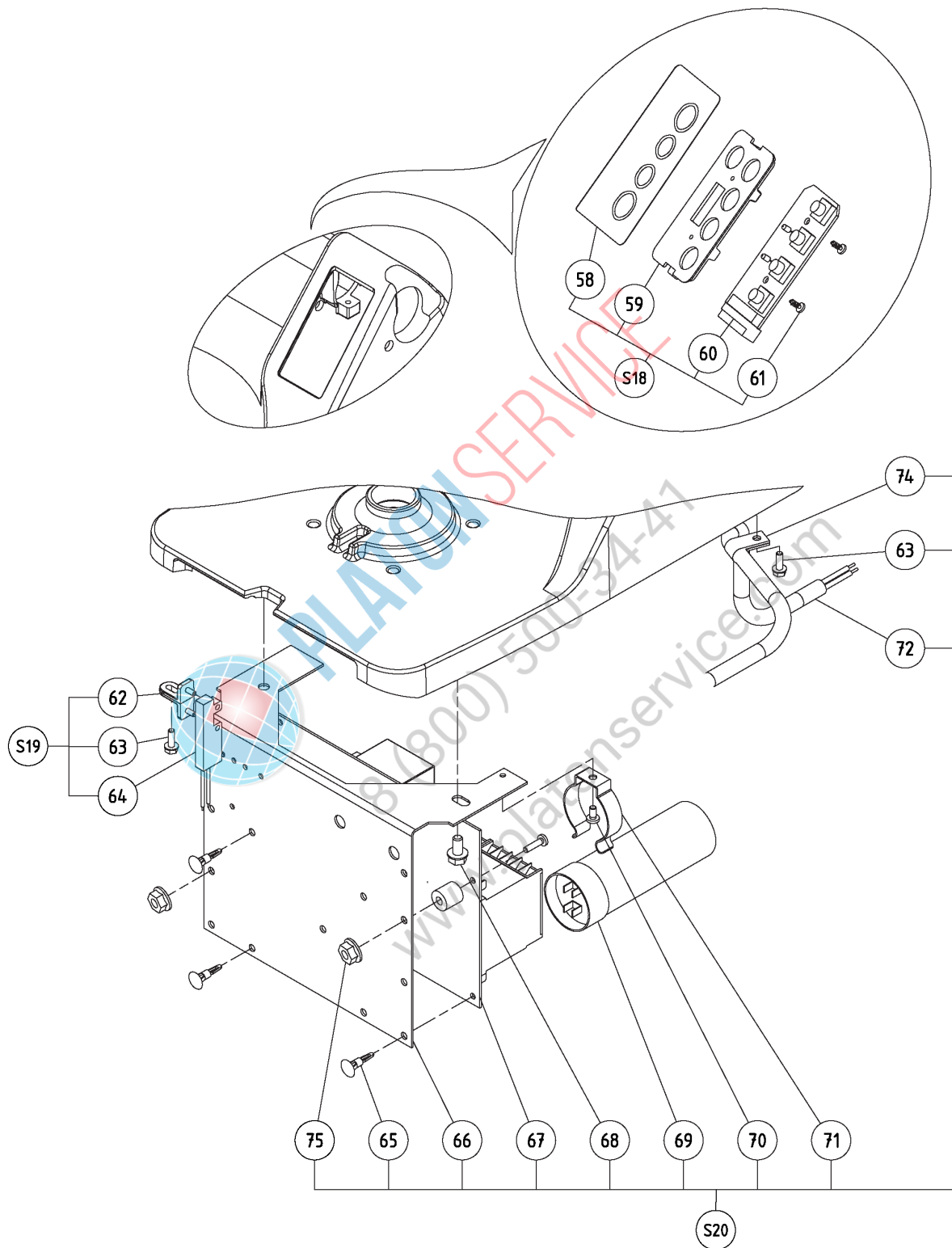
TR2S FR 03 06

??????	603314								
??????	SPTR2S	???????? 12	Exploded view TR 1-sp. 3-ph. Circuit board-Control						
.		Alias		S			.		(Euro)
0076	0D7096							CONTROL PANEL; TRS 1V EQ	52,88
0077	0D5515							SUPPORT; CARD CDE TRK2	3,38
0078	0D6245			S				CARD; M/A/PULSE TRK	72,47
0079	0D2918							SCREW PT WN 1442 K30/8 (SET X10)	21,42
0080	0D5517							SUPPORT; SECURITE TRK2	24,16
0081	0D6754				D			SCREW; M4X12 INOX (JX10)	20,27
0082	0D6626			S				SENSOR; TRK2	48,62
0083	0KQ662			S				CONDENSER	16,26
0084	0D3429				D			SCREW PLATE M4X8 GALVA STL SET X10	20,60
0085	0U0242				D			HOLDER	5,70
0086	0D2848							PRINTED CIRCUIT FIXING SPACER (SET X6)	21,82
0087	0D5602				D			SUPPORT; COMPOSANT TR CI	15,73
0088	0D5135							TERMINAL; 5 PCS	47,60
0089	0KJ778			S				POWER BOARD; 3-PHASE	151,20
0090	0D5544				D			CABLE; ALIM TRI EQ TRK2	43,24
0092	0D1708							COLLAR; ASS.	22,43
0S22	0D5573			S				SUPPORT; CARTE CDE EQ TR2S 1V	106,60
0S23	0D5522			S				SUPPORT; PSA COMPLETE TRK2	62,52
0S24	0D5574							SUPPORT; TRI 1V TR2S	190,80



8 (800) 700-34-11
www.platonse.ru

Vue éclatée Commande-Platine TR 2V tri / Exploded view TR 2-sp three-ph. Circuit board-Control / Stückliste Steuerung-Regelantrieb / Esploso Comando Piastra TR 2V tri / Despiece Mando-Platina TR 2V tri / Sprängkiss- Kontroll-TR-Platin 2V tre

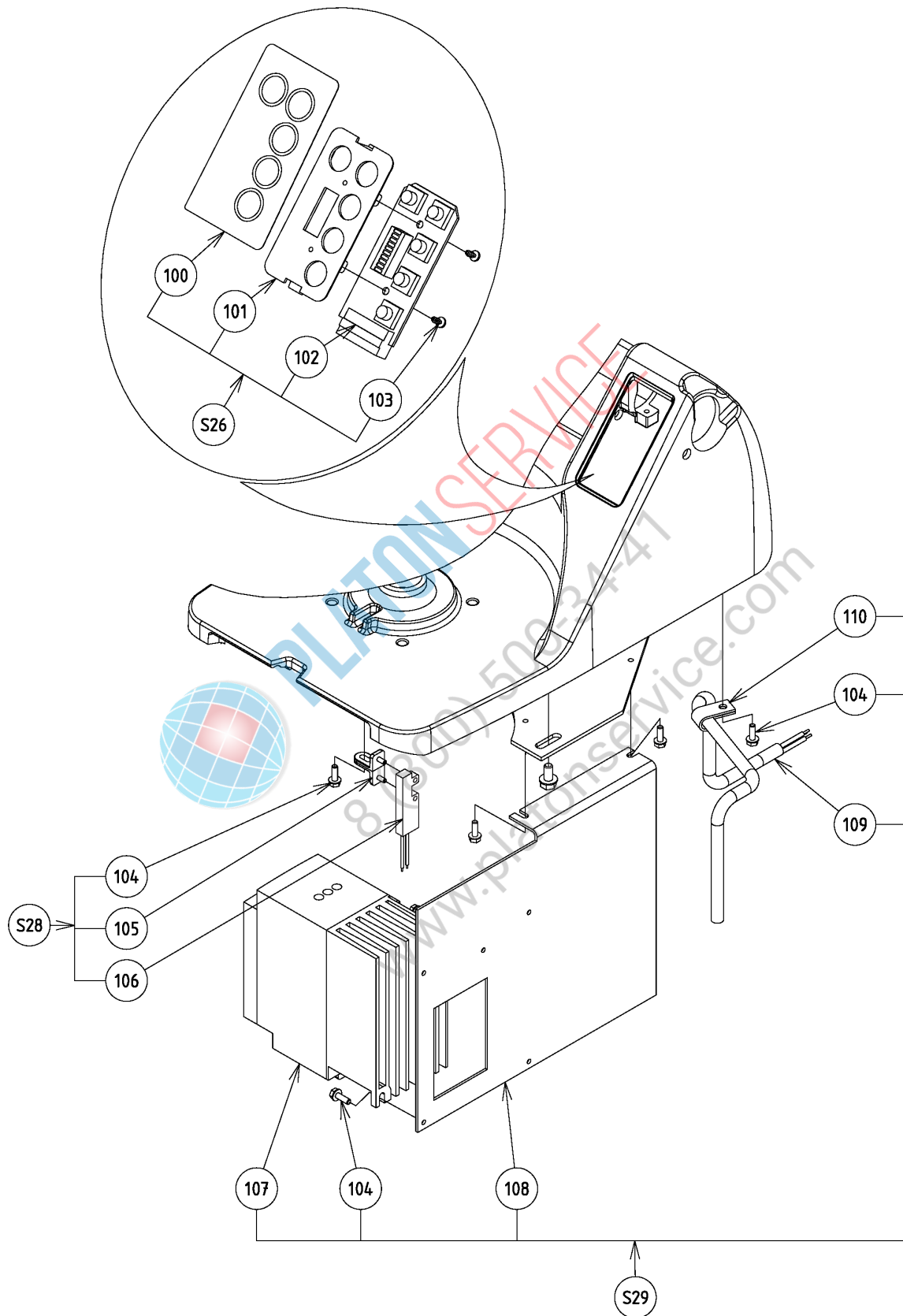


?????? 603314

?????? SPTR2S ????????? 14 Exploded view TR 2-sp threeph. Circuit board-Control

.		Alias		S		.		(Euro)
0058	0D7097				D		CONTROL PANEL; TRS 2V EQ	78,16
0059	0D5515						SUPPORT; CARD CDE TRK2	3,38
0060	0D5600						CARD; COMMANDE P/1/2/A	109,60
0061	0D2918						SCREW PT WN 1442 K30/8 (SET X10)	21,42
0062	0D5517						SUPPORT; SECURITE TRK2	24,16
0063	0D6754				D		SCREW; M4X12 INOX (JX10)	20,27
0064	0D6626			S			SENSOR; TRK2	48,62
0065	0D2848						PRINTED CIRCUIT FIXING SPACER (SET X6)	21,82
0066	0D5518				D		SUPPORT; COMPOSANT K CI	31,16
0067	0D5679			S			POWER BOARD; 2V EQ TBX	365,40
0068	0D6708				D		SCREW; TAPTITE M6X16 (JEU X10)	21,62
0069	0KQ662			S			CONDENSER	16,26
0070	0D3429				D		SCREW PLATE M4X8 GALVA STL SET X10	20,60
0071	0U0242				D		HOLDER	5,70
0072	0D5544				D		CABLE; ALIM TRI EQ TRK2	43,24
0074	0D1708						COLLAR; ASS.	22,43
0075	0D6441						SPACER; SET 10PCS; 4X10X10	33,39
0075	0D6755						SCREW; SET 10PCS; M4X20	9,41
0075	0D6756						NUT; PLASTIQUE M4; SET 10PCS	
0S18	0D5571			S			SUPPORT; CARTE CDE TRI 2V EQ TR	144,10
0S19	0D5522			S			SUPPORT; PSA COMPLETE TRK2	62,52
0S20	0D5572						SUPPORT; TRI 2V TR2S	352,20
0S20	0D5775						POWER BOARD; TRI 2V UL EQ TRK2	459,80

Vue éclatée Commande-Variateur / Exploded view Variable speed unit-
Control / Explosionszeichnung Steuerung-Regelantrieb / Esploso Coman-
do-Variatore / Despiece Mando-Variador / Sprängskiss - Kontroll-Variator



P

TR2S FR 10 08

?????? 603314
 ?????? SPTR2S ????????? 16 Exploded view Variable speed unit-Control

.		Alias		S		.		(Euro)
0100	0D7098				D		CONTROL PANEL; TRS W EQ	143,10
0101	0D5515						SUPPORT; CARD CDE TRK2	3,38
0102	0D5546			S			CARD; COMMANDE P/M/A/+/- TRK	124,80
0103	0D2918						SCREW PT WN 1442 K30/8 (SET X10)	21,42
0104	0D6754				D		SCREW; M4X12 INOX (JX10)	20,27
0105	0D5517						SUPPORT; SECURITE TRK2	24,16
0106	0D6626			S			SENSOR; TRK2	48,62
0107	0D6246						SPEED VARIATOR; REGLE TR2S	318,70
0108	0D5748				D		SUPPORT; TR VAR	27,71
0109	0D5545						CABLE; ALIM MONO EQ TRK2	43,24
0110	0D6040						CLIP; SET 10PCS	9,00
0S26	0D5605		0D5546				CARD; CDE COMPLETE VV TR2S	
0S28	0D5542						SUPPORT; PSA COMPLETE +CLIPS TRK2	64,35
0S29	0D5606						SUPPORT; COMPLETE TR2S	



PLATON SERVICE
 8 (800) 500-34-41
 www.platonservice.com